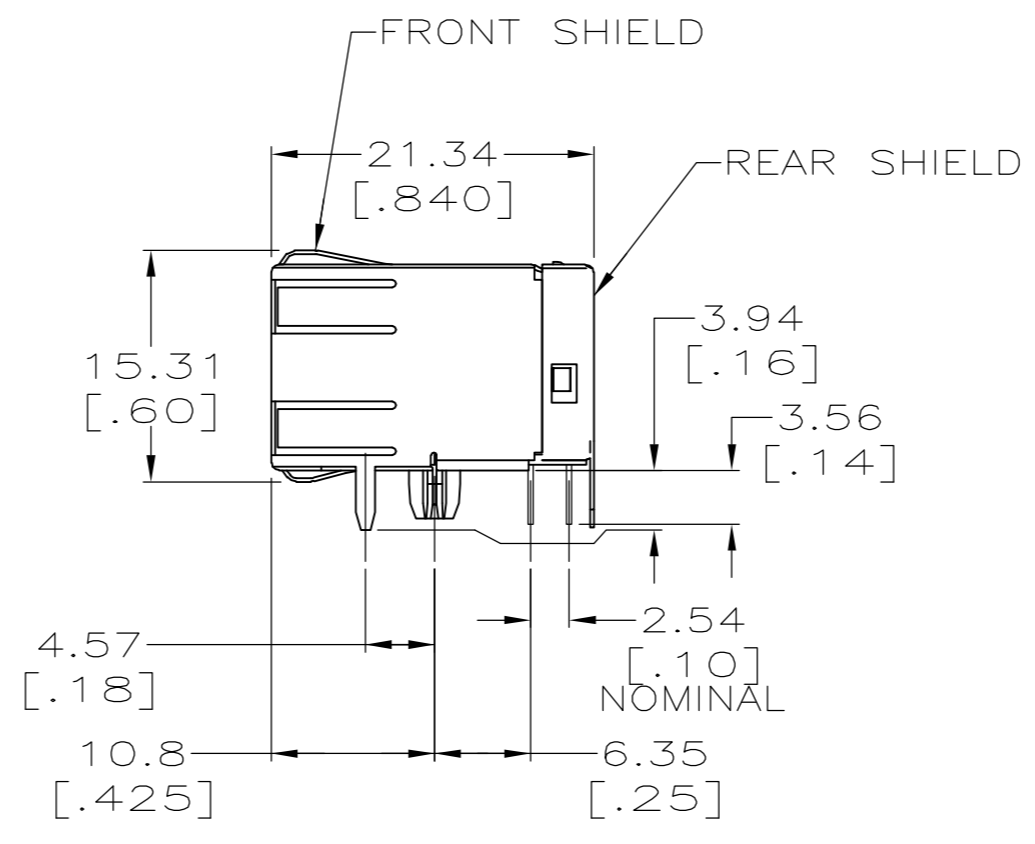
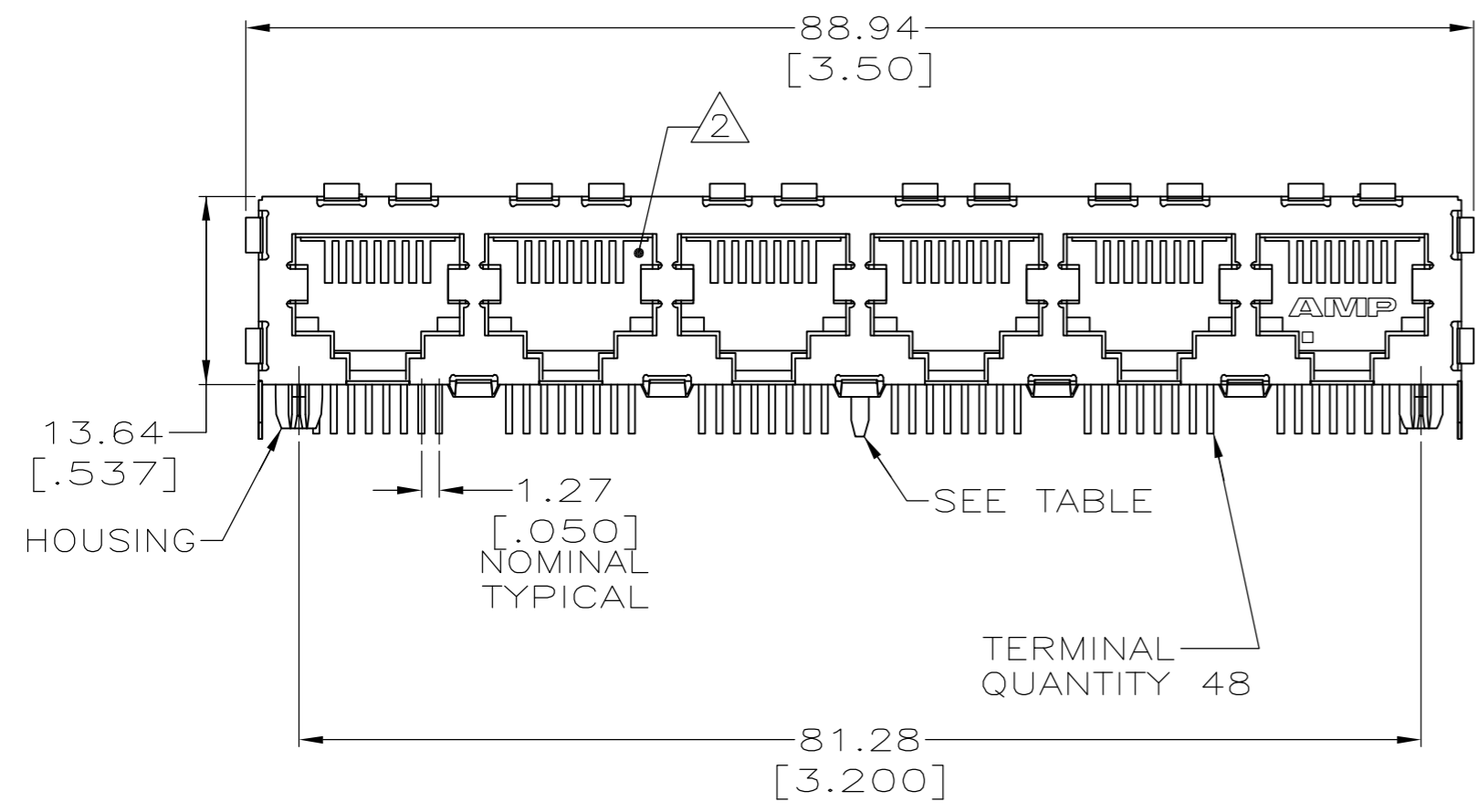


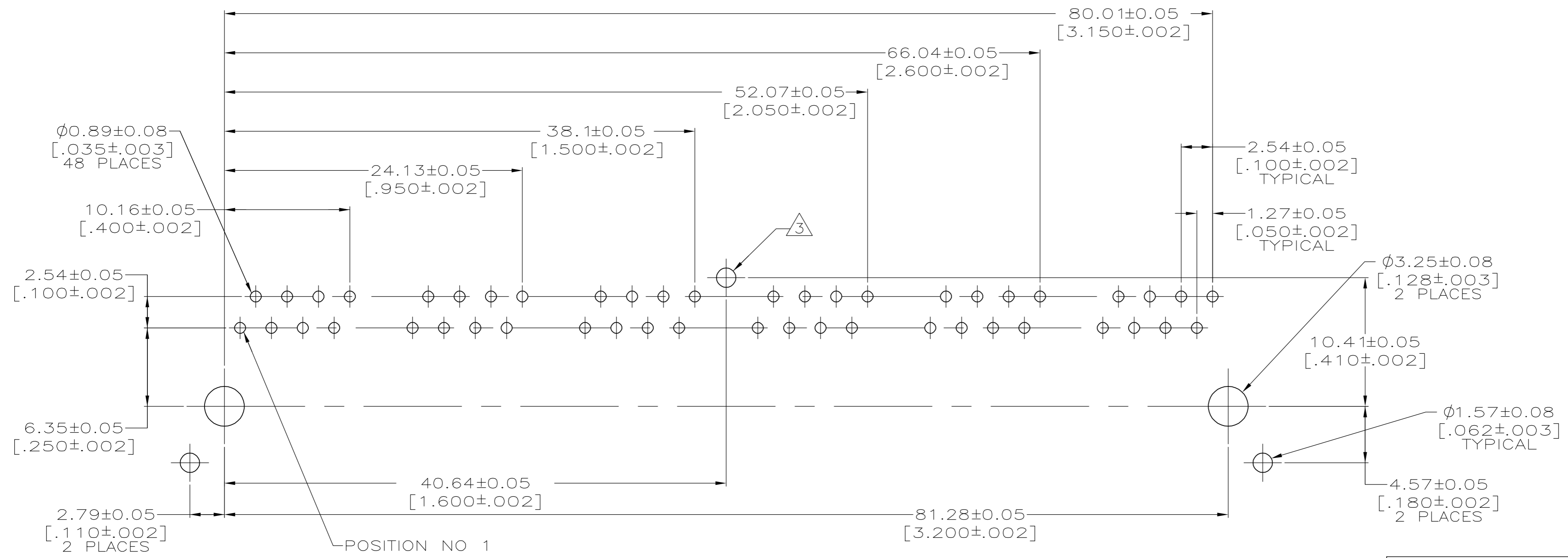
LOC	DIST	REVISIONS					
AA	22	P	LTR	DESCRIPTION	DATE	DWN	APVD
		A		REV PER EC 0S11-0201-04	06JUN2005	JA	SF



△ MATERIAL:
 HOUSING - NYLON, IR COMPATIBLE, BLACK, UL 94V-0.
 TERMINALS - 0.33[.013] THICK PHOS BRONZE PLATED WITH 1.27 μ m[.000050] MIN THICK HARD GOLD IN LOCALIZED AREA AND 3.81 μ m[.000150] MIN THICK MATTE TIN IN SOLDER AREA OVER 1.27 μ m[.000050] THICK MINIMUM NICKEL UNDERPLATE.
 SHIELD - 0.254[.010] THICK COPPER ALLOY PLATED WITH 2.03 μ m[.000080] MIN THICK BRIGHT TIN OVER 1.27 μ m[.000100] MIN THICK NICKEL.

△ JACK CAVITY CONFORMS TO FCC RULES AND REGULATIONS, PART 68 SUBPART F.

△ THIS HOLE IS REQUIRED FOR -2 ONLY.



SUGGESTED PC BOARD LAYOUT
 COMPONENT SIDE (TOP)
 SCALE 4:1

1	5406205-2
NONE	5406205-1
NO. OF REAR TABS	PART NO.

THIS DRAWING IS A CONTROLLED DOCUMENT.		DWN J. ALCORTA - DOCK5 06JUN2005	tyco Tyco Electronics Corporation Harrisburg, Pa 17105-3608	
DIMENSIONS: mm [INCHES]		CHK J. WESTMAN 06JUN2005	NAME S. FLICKINGER	
TOLERANCES UNLESS OTHERWISE SPECIFIED:		APVD S. FLICKINGER 06JUN2005	PRODUCT SPEC	
0 PLC ± -		APPLICATION SPEC		
1 PLC ± -		WEIGHT -		
2 PLC ± 0.25[.01]		SCALE 1:1		
3 PLC ± 0.13[.005]		SHEET 1 OF 1		
4 PLC ± -		REV A		
ANGLES ± -		RESTRICTED TO		
FINISH △		SIZE CAGE CODE DRAWING NO		
MATERIAL △		A2 00779 C=5406205		
CUSTOMER DRAWING		NO. OF REAR TABS		